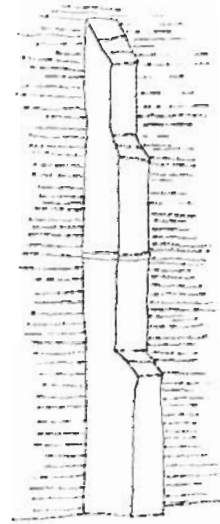


INFORMATION SHEETS

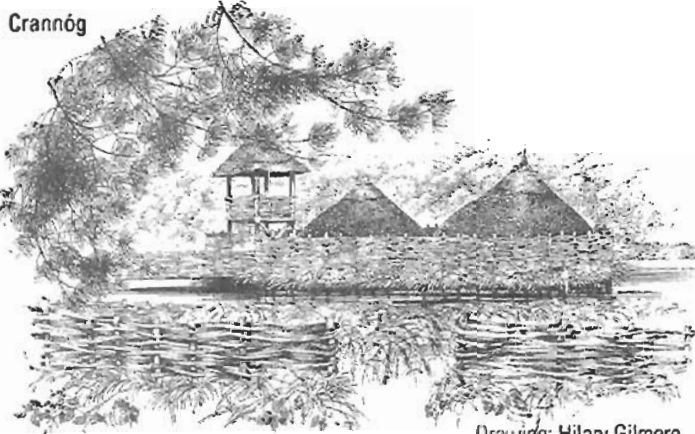
INFORMATION SHEET 21: Structural Systems



Gallarus Oratory
Dingle Peninsula, Co. Kerry

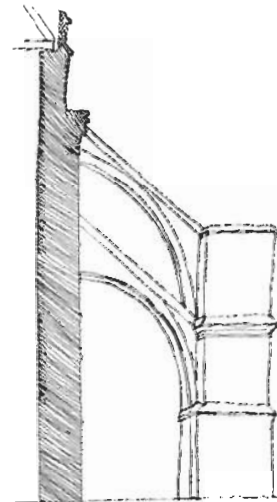


Buttress

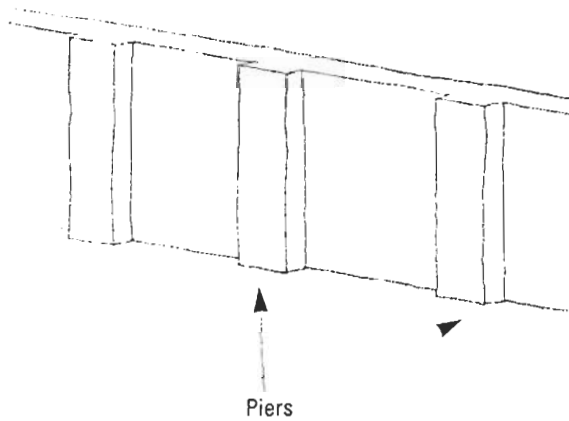


Crannóg

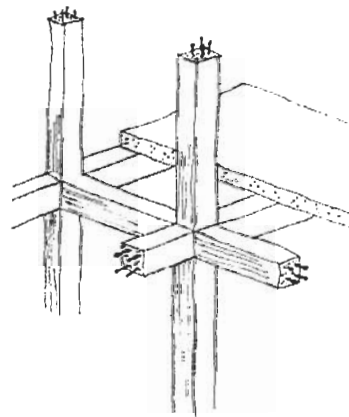
Drawing: Hilary Gilmore



Flying buttress



Piers



Reinforced concrete frame